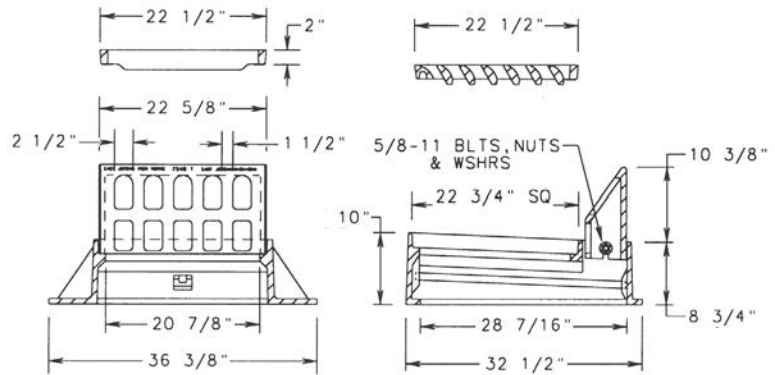


### 7540 CATCH BASIN CURB INLET

Heavy duty  
 Uses the 5425M2 grate  
 Approximate 110 sq. in. open area

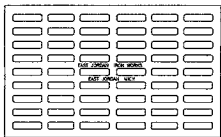
Options  
 Bolted assembly



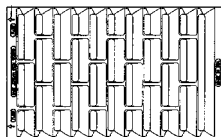
### 7555 CATCH BASIN CURB INLET

Heavy duty  
 Type M1 grate  
 Approximate 320 sq. in. open area

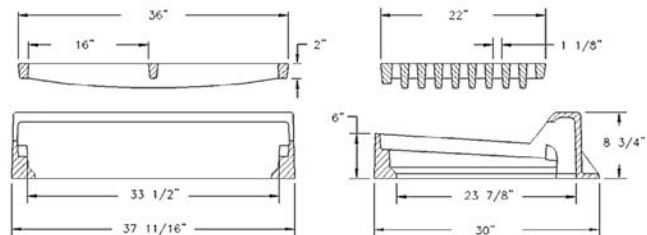
Options  
 7560 frame with 6" height front  
 and 11 3/4" height back



**Type M2 Grate**  
 Approx. 290 sq. in.  
 open area



**Type M3 Vane Grate**  
 Approx. 330 sq. in.  
 open area



Supplied By:

**TRENCHDRAIN  
 SUPPLY**

877-903-7246

www.trenchdrainsupply.com